

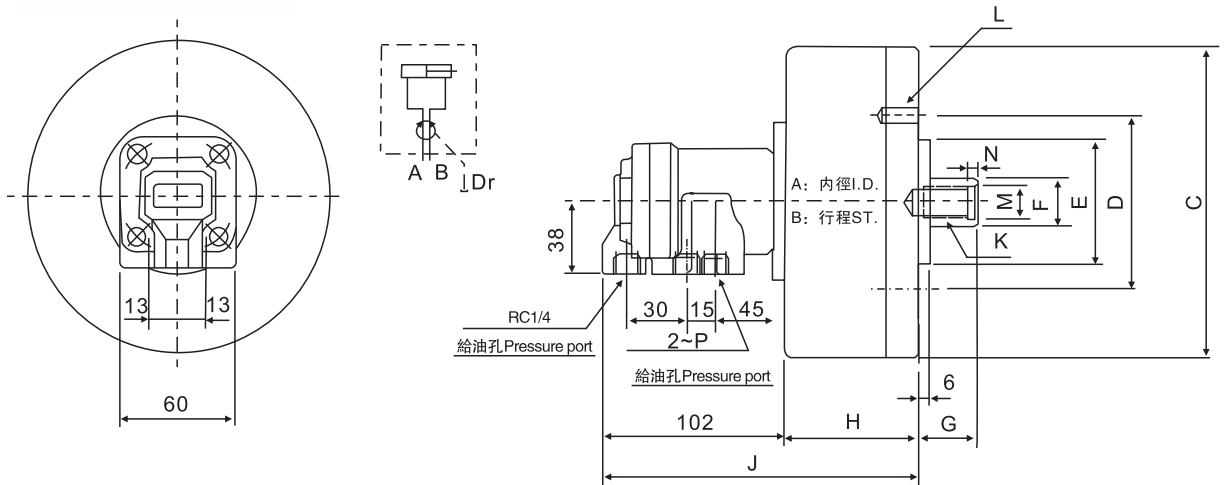
# > S SERIES

## 中實回轉油壓缸

## ROTARY HYDRAULIC CYLINDER



- ◎ 回轉閥體與缸體皆採用特殊輕合金製造而成，重量輕。
- ◎ 回轉閥經特殊設計，使得內部的軸承能充分的潤滑及冷卻，而能耐高速回轉，增長壽命。
- ◎ The rotary valve and cylinder body ,all made of special light alloy, light-weight.
- ◎ Through unique design,the rotary valve enables the inside bearing to get sufficient lubricating and cooling and endure high-speed rotary for longer service life.
- ◎ 洩油孔配管務必單獨接回油壓槽，以避免產生背壓。
- ◎ The drain port should be independently connected to oil tank to avoid back pressure.



規格 Spec 型號 Model	活塞面積 Eff.piston area cm <sup>2</sup>		行程 (mm) Piston stroke	最高回轉速 max r.p.m	最大使用壓力 Max. Operating Pressure MPa(kgf/cm <sup>2</sup> )	慣性矩 kg·m <sup>2</sup>	重量(kg) Weight
	伸側 Extend	拉側 Retract					
S-65	31.0	27.9	15	6000		0.01	2.9
S-80	47.7	42.8	15	6000	3.5(35)	0.01	3.4
S-100	75.4	70.5	20	5500		0.04	4.9
S-125	119.6	112.5	25	5500		0.08	6.8
S-150	173.6	157.7	30	4000		0.18	11.5
S-200	310.0	286.3	35	4000	4.0(40)	0.38	20.4

規格 Spec Model	A	B	C	D	E h7	F	G		H	J	K	L	M H8	N	P
							max	min							
S-65	65	15	98	80	60	22	45	30	74	175	M12x1.75x30	6~M8x16	-	4	RC3/8
S-80	80	15	112	90	65	25	45	30	74	175	M16x2.0x30	6~M8x16	-	4	RC3/8
S-100	100	20	135	100	80	25	45	25	89	190	M16x2.0x30	6~M10x20	-	4	RC3/8
S-125	125	25	160	130	110	30	50	25	96	197	M20x2.5x35	6~M12x20	-	4	RC3/8
S-150	150	30	190	130	110	45	55	25	105	206	M30x3.5x45	12~M12x24	31	5	RC1/2
S-200	200	35	245	145	120	55	70	35	130	231	M36x4.0x60	12~M16x30	37	5	RC1/2

\* 保留技術更改的權利，恕不另行通知 Subject to technology changes without prior information

\* 非標需求可訂做 Non-standard requirements can be made